

# Angular Contact Ball Bearings

Bearing No. : **NACHI 7307CDF**

■ Bearing Type

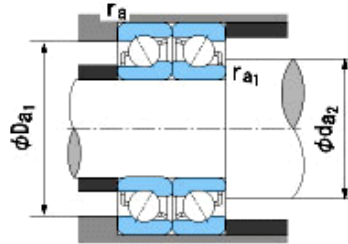
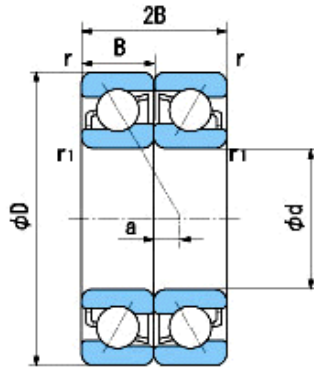
■ Clearance

■ Tolerance Class

**Dimensions**

**Dimensions**

d = 35 <sup>0</sup><sub>-0.012</sub>  
 D = 80 <sup>0</sup><sub>-0.013</sub>  
 B = 21 <sup>0</sup><sub>0.000</sub>  
 r = 1.5~2.3  
 (Radial Direction)  
 r = 1.5~4  
 (Axial Direction)  
 r1 = 1~1.5  
 (Radial Direction)  
 r1 = 1~3  
 (Axial Direction)  
 a = -3.9



da1(min) = 44  
 da2(min) = 44  
 Da1(max) = 71  
 Da2(max) = 74.6  
 ra(max) = 1.5  
 ra1(max) = 1  
 Mass = 0.95 kg

Basic Dynamic Load Rating Cr :	<b>66,000</b> N	INNER RING	OUTER RING
Basic Static Load Rating Cor :	<b>52,000</b> N	O.D.Surface Runout with Side :	-
Limiting Speed ;		Axial Runout with Bore :	-
Grease Lubrication :	<b>11,000</b> min <sup>-1</sup>	Axial Runout with Raceway :	-
Oil Lubrication :	<b>15,000</b> min <sup>-1</sup>	Width Variation :	<b>0.020</b> <b>0.020</b>
		Radial Runout :	<b>0.015</b> <b>0.025</b>